



**SPARE PARTS CATALOGUE
ERSATZTEILKATALOG
CATALOGUE PIECES DETACHEES
CATALOGO PARTI RICAMBIO
CATALOGO DE PIEZAS DE RECAMBIO
CATALOGO PECAS, DE REPOSICAO**

Catalogo parti di ricambio valido
dalla matricola 4364530 ad oggi (17/11/2021)

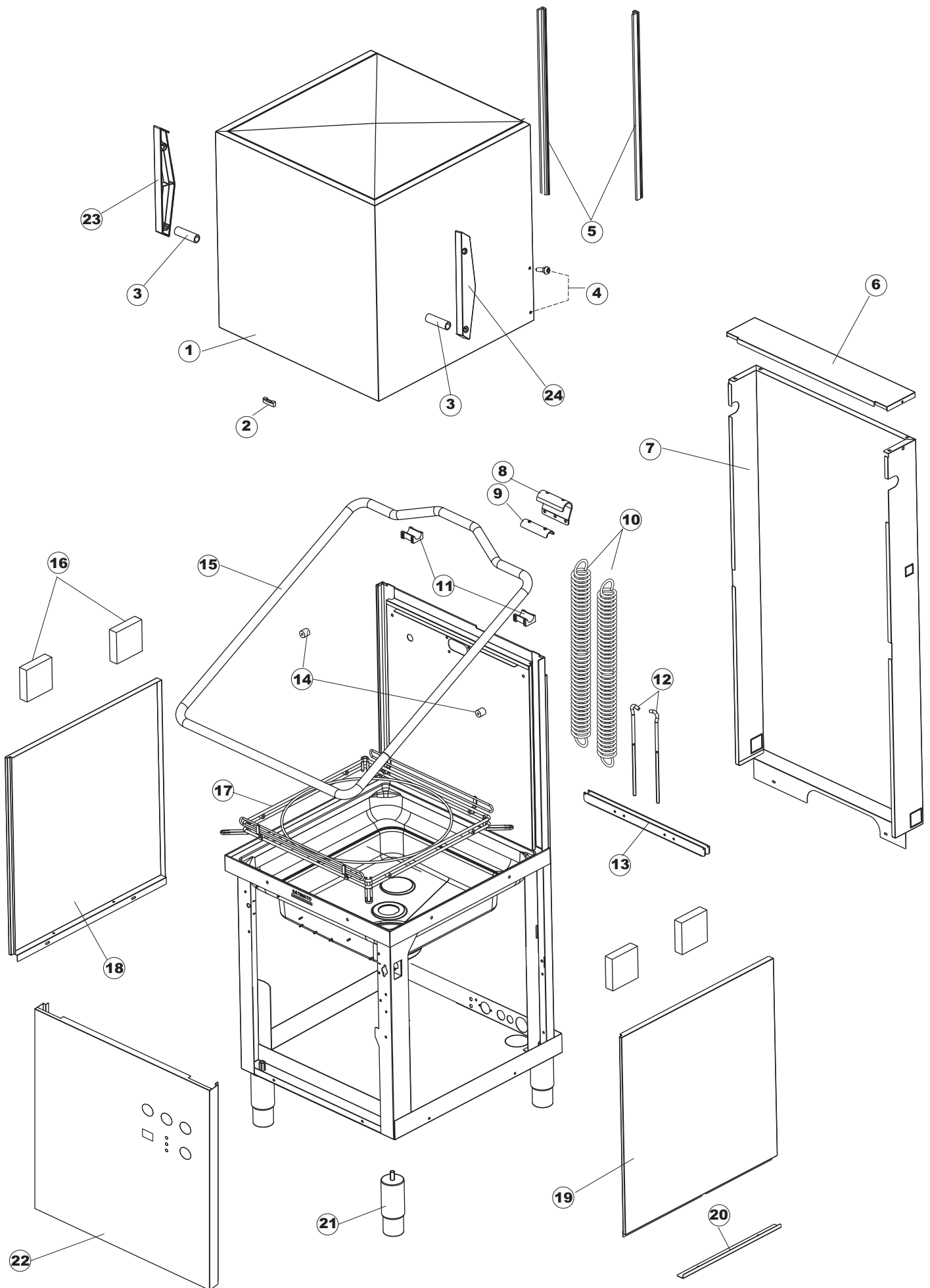
Catalogue pieces detachees
du numero de Série n. 4364530 jusqu'à aujourd'hui (17/11/2021)

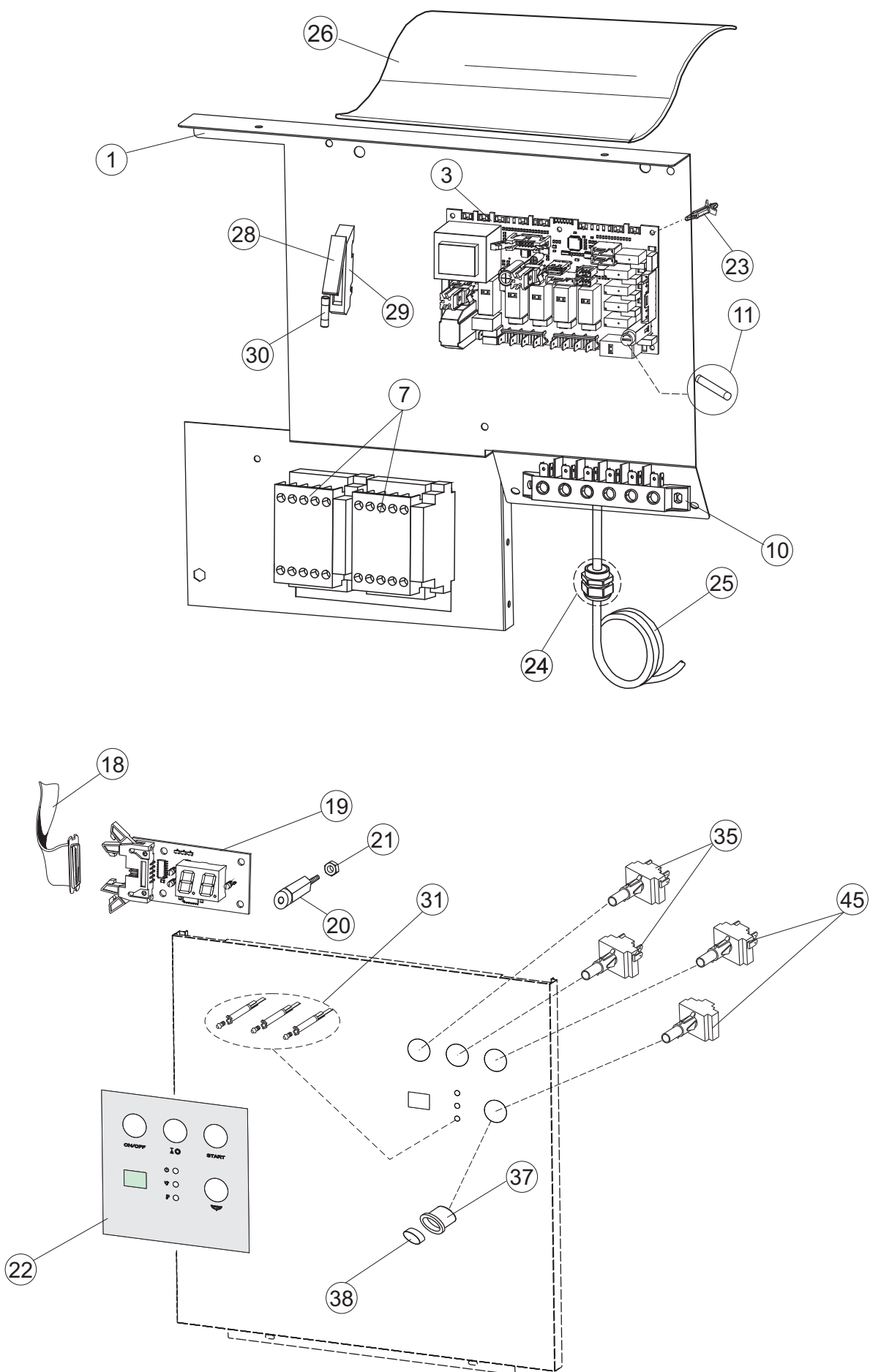
Ersatzteilkatalog
gültig ab Serien-Nr. 4364530 bis heute (17/11/2021)

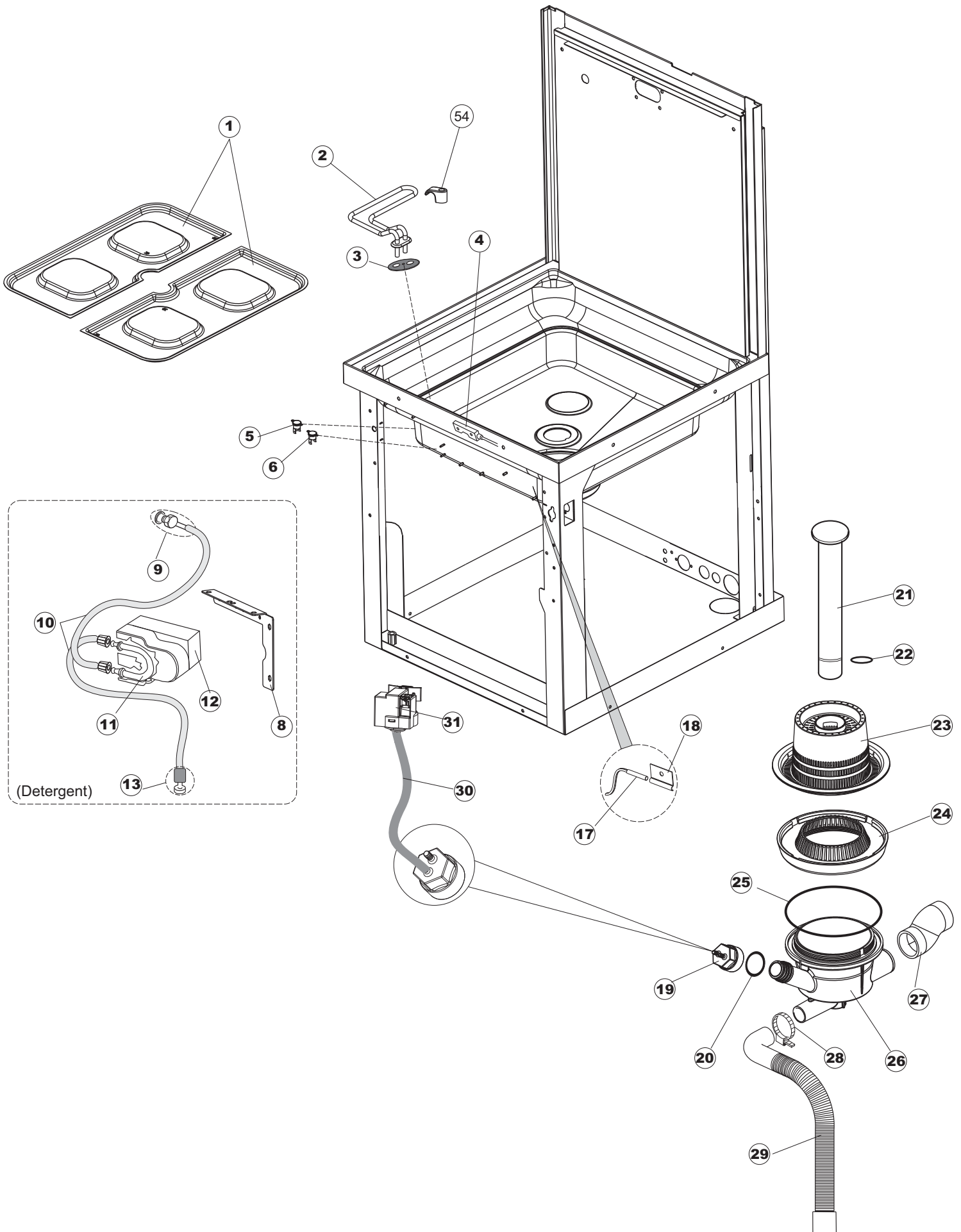
Spare parts catalogue
valid from serial no. 4364530 up today (17/11/2021)

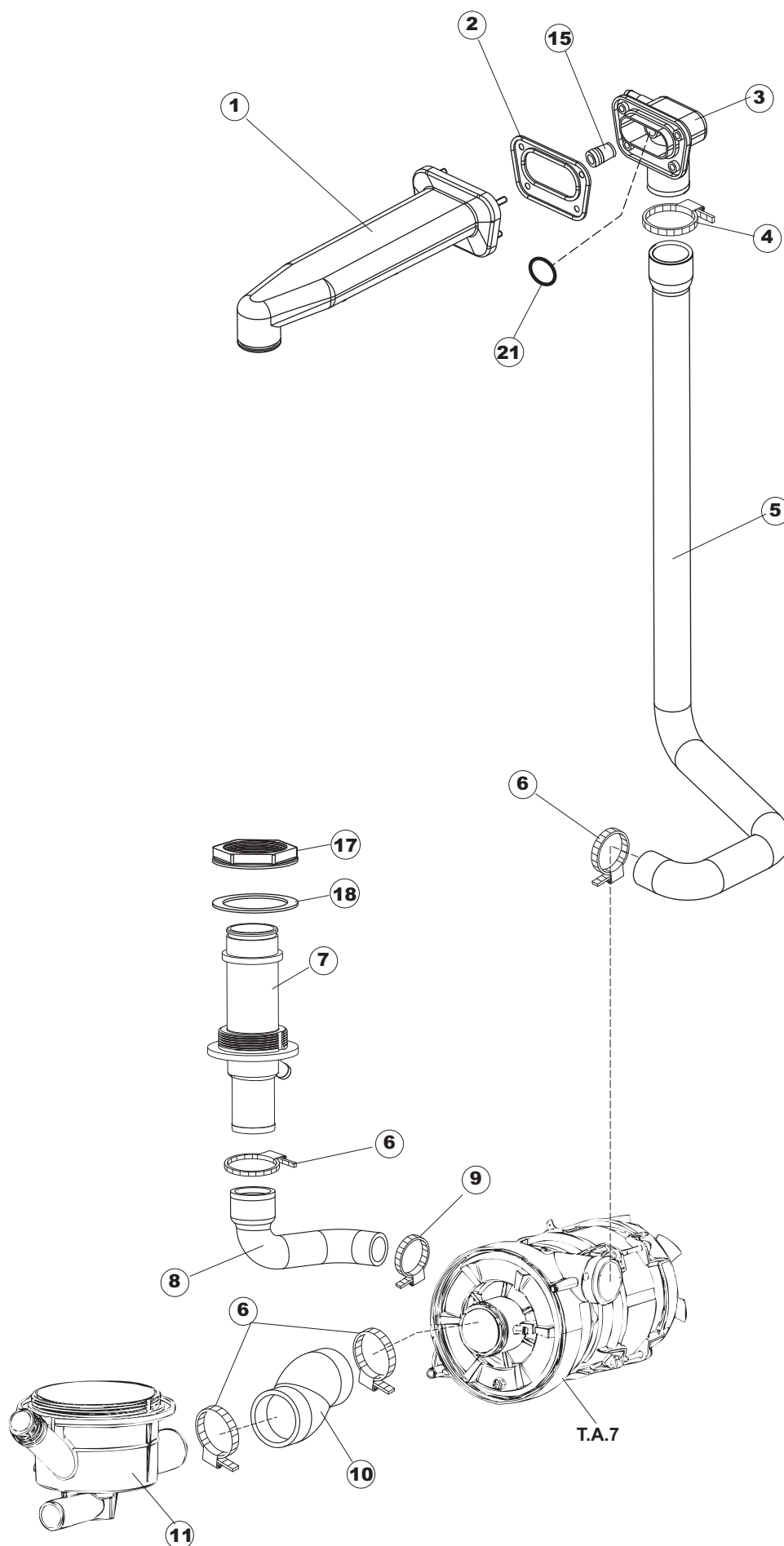
Catálogo de peças de reposição
válido do número de série 4364530 até hoje (17/11/2021)

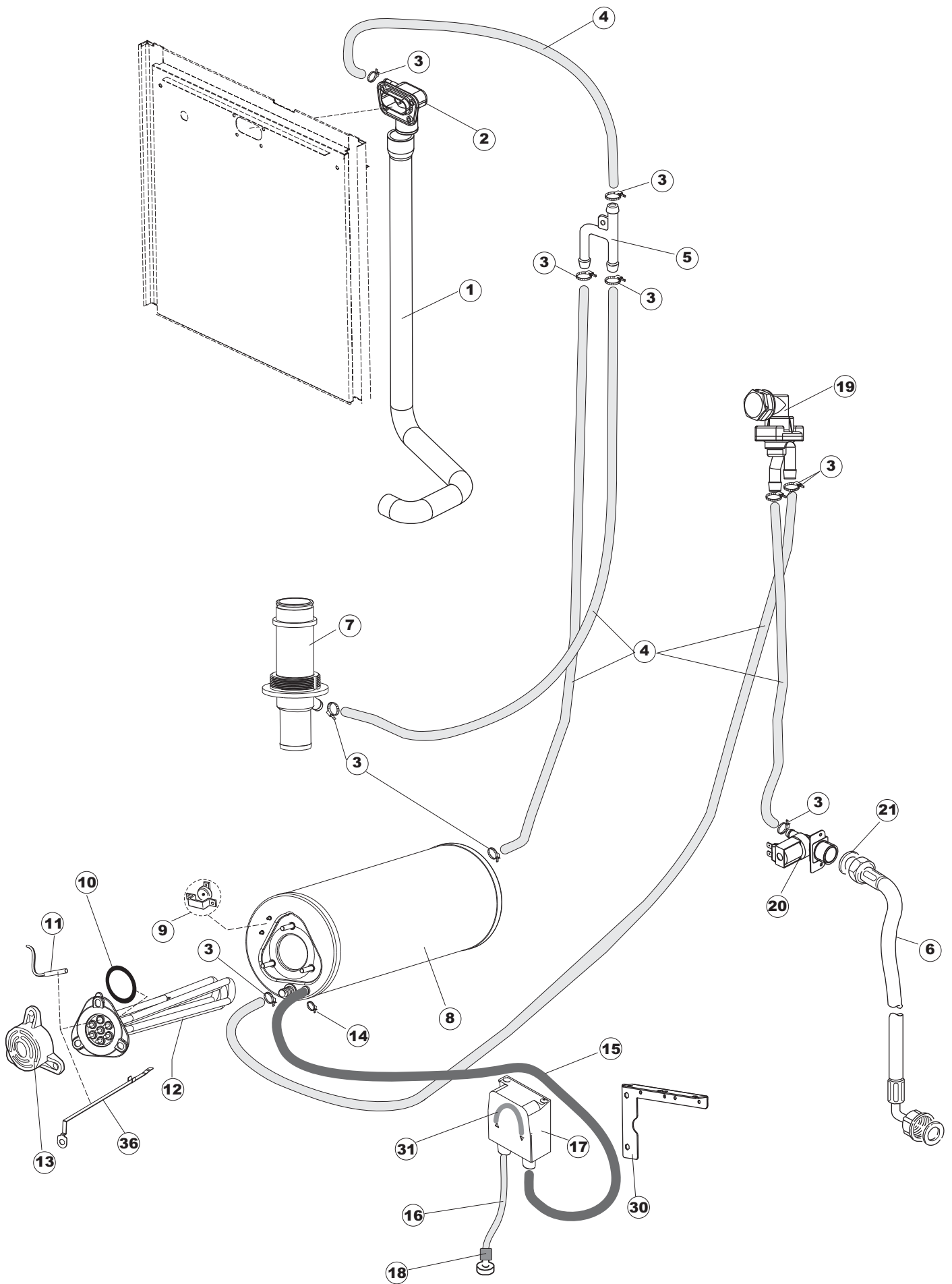
LCP4550H60

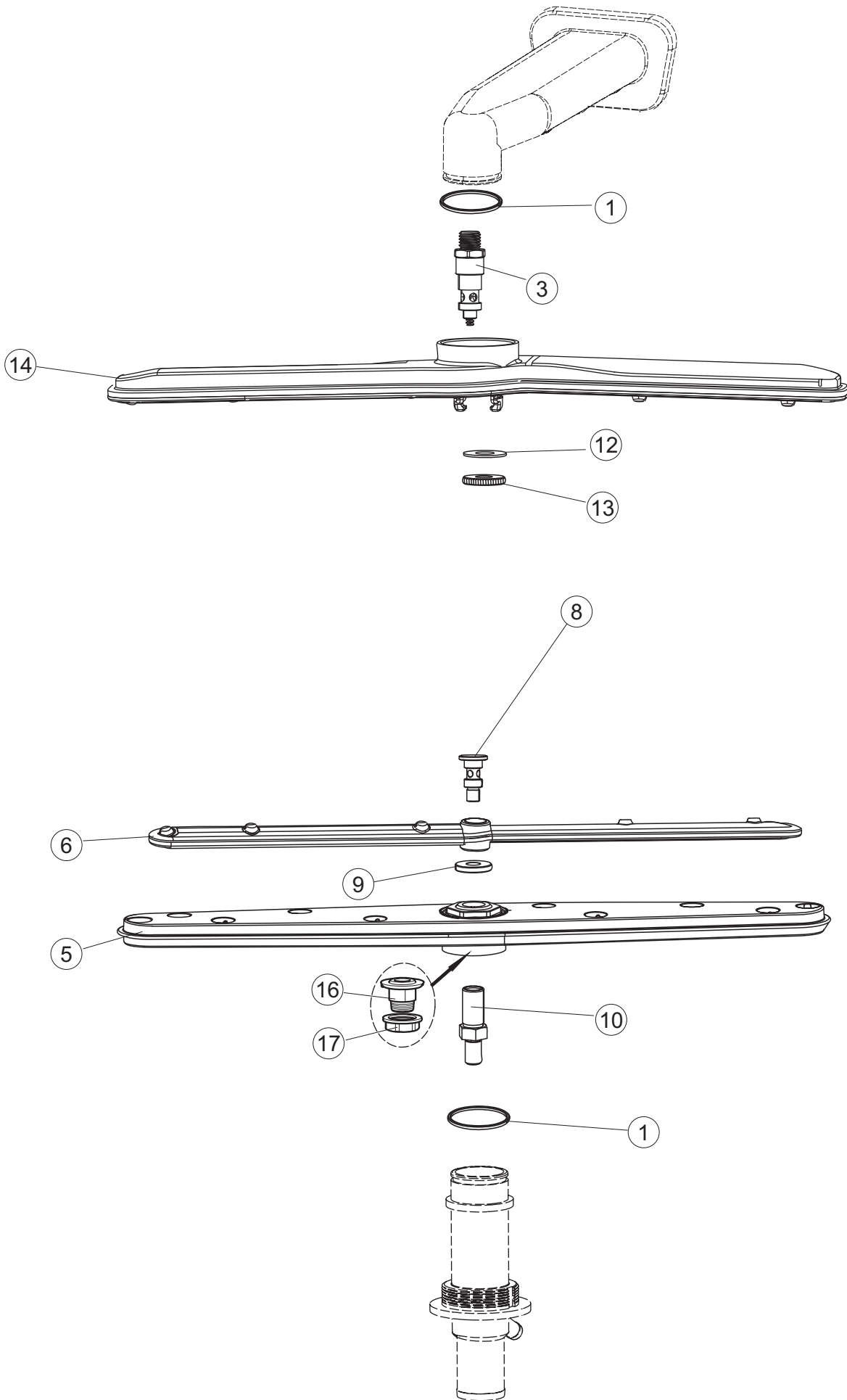


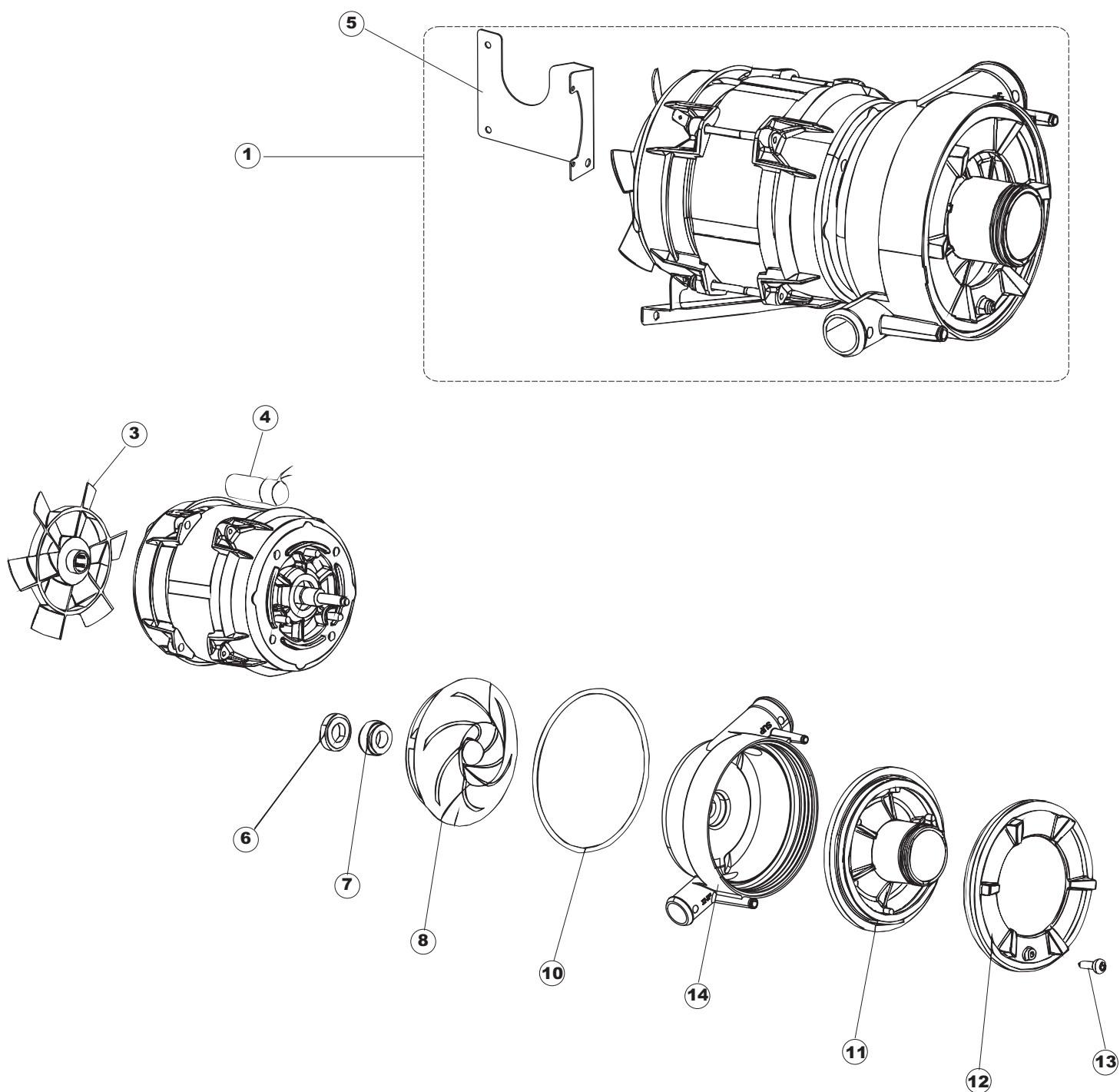


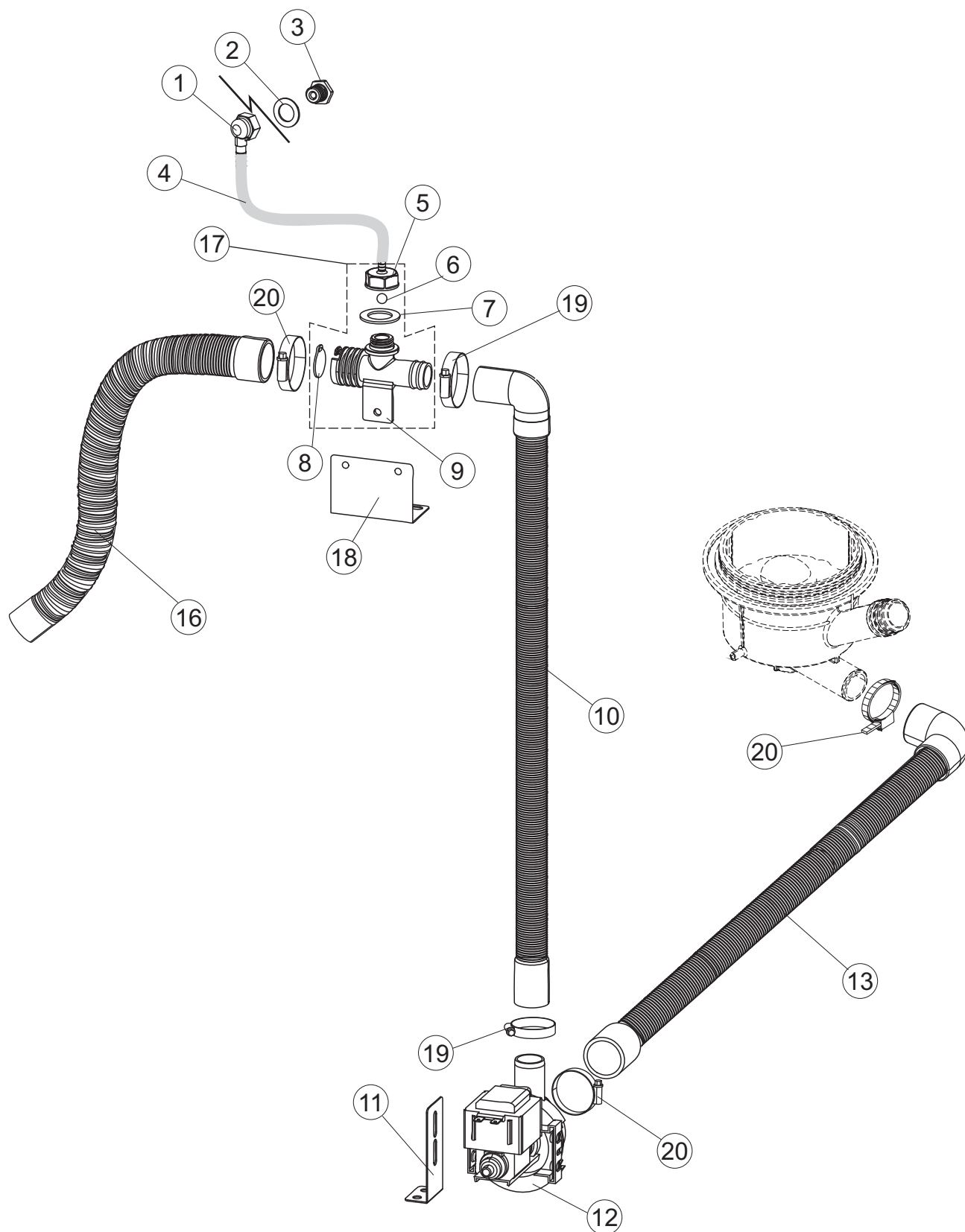












(*) Recommended spare part.

Page	Spare part position	Spare part code no.	Old code number	Description	U.m.
1	1	K74141		STANDARD HOOD FOR HOOD-TYPE DISHWASHER	NR
1	2	927088		MAGNET FOR HOOD MICROSWITCH	NR
1	3	70212		SPACER	NR
1	4	80998		SCREW	NR
1	5	74068		HOOD DRIVE	NR
1	6	80638		TOP BACK PANEL	NR
1	7	74162		BACK PANEL	NR
1	8	80275		COIL HOOKING BRACKET - COMPLETE	NR
1	9	80277		SPRING HOOKING SLIDE	NR
1	10	926007		EXTENSION STEEL SPRING FOR DISHWASHER	NR
1	11	80190		BRACKET	NR
1	12	926009		SPRING ADJUSTMENT HOOK	NR
1	13	74923		HOLDER TENSION SPRING	NR
1	14	80105		HOOD / DOOR STOP	NR
1	15	74521		HANDLE NH/GH50	NR
1	16	41042		ADHESIVE PLUG	NR
1	17	K80240		RACK FRAME	NR
1	18	69571		LEFT SIDE PANEL	NR
1	19	69572		RIGHT SIDE PANEL	NR
1	20	80078		SUPPORT BRACKET	NR
1	21	73100		FOOT	NR
1	22	74552		FRONT PANEL	NR
1	23	70208		LEFT LEVER HOOD	NR
1	24	70209		RIGHT LEVER HOOD	NR
2	1	74043		WIRING PANEL	NR
2	3	215042-7		MAIN BOARD GET50.2	NR
2	7	73351		CONTACTOR	NR
2	10	220011		TERMINAL BLOCK	NR
2	11	228010		FUSE	NR
2	18	80934		FLAT CABLE	NR
2	19	74902		CONTROL KEYBOARD	NR
2	20	419036		INTERFACE BOARD DISTANCE KEEPERS	NR

(*) Recommended spare part.

Page	Spare part position	Spare part code no.	Old code number	Description	U.m.
2	21	417119		NUT	NR
2	22	74766		CONTROL ADHESIVE INTERFACE	NR
2	23	CWP2		FOOT	NR
2	24	DEP521		CABLE GLAND	NR
2	25	80995		CABLE, FEED. 4X4MM (H07RN-F)	NR
2	26	80731		PVC CURTAIN FOR ELECTRIC PROTECTION	NR
2	28	74935		FUSE-HOLDER	NR
2	29	H.228048		PRICE TO BE DEFINED	
2	30	228010		FUSE	NR
2	31	216029		PILOT LAMP	NR
2	35	80804		DOUBLE SWITCH	NR
2	37	226126		PUSH BUTTON CASE	NR
2	38	227064		BUTTON	NR
2	45	226095		DOUBLE CONTACT PUSH-BUTTON	NR
3	1	121123		STAINER	NR
3	2	74168		BOILER HEATING ELEMENT 2100W 230V	NR
3	3	437086		PACKING OF THE TANK RESISTANCE	NR
3	4	80871		MAGNETIC DOOR SWITCH	NR
3	5	236061		THERMOSTAT 127	NR
3	6	236052		THERMOSTAT 90+/-3C	NR
3	8	74052		BRACKET	NR
3	9	999348		DETERGENT TANK FITTING	NR
3	10	143194		PIPE	MT
3	11	143258		"SANTOPRENE" PIPE	NR
3	12	209043		DETERGENT DOSING PUMP	NR
3	13	121993		FILTER AID DISPENSER	NR
3	17	231016		TEMPERATURE PROBE	NR
3	18	H.775489-001		SUPPORT TEMPERATURE PROBE	NR
3	19	107013		AIR TRAP FOR PRESSURE SWITCH	NR
3	20	456073		O-RING	NR
3	21	142058		OVERFLOW PIPE	NR
3	22	456081		O-RING	NR

(*) Recommended spare part.

Page	Spare part position	Spare part code no.	Old code number	Description	U.m.
3	23	121120		STAINER	NR
3	24	429072		RING NUT	NR
3	25	456076		O-RING	NR
3	26	74073		ASPIRATION AND DRAIN BODY	NR
3	27	127082		DELIVERY WASH HOSE	NR
3	28	CFS1		HOSE CLAMP	NR
3	29	143252		DRAIN HOSE	NR
3	30	143235		PIPE	MT
3	31	224031		PRESSURE SWITCH	NR
3	54	999351		GROUP STOPPED TANK HEATER	NR
4	1	73178		MAINFOLD	NR
4	2	80178		GASKET	NR
4	3	80174		PIPE FITTING	NR
4	4	CFS1A		HOSE CLAMP	NR
4	5	69020		PIPE	NR
4	6	CFS1		HOSE CLAMP	NR
4	7	69016		MAINFOLD	NR
4	8	127085		DELIVERY WASH HOSE	NR
4	9	423008		PRICE TO BE DEFINED	
4	10	127082		DELIVERY WASH HOSE	NR
4	11	74073		ASPIRATION AND DRAIN BODY	NR
4	15	441009		GASKET	NR
4	17	429073		RING NUT	NR
4	18	437102		GASKET	NR
4	21	CGR3037		O-RING	NR
5	1	69020		PIPE	NR
5	2	80174		PIPE FITTING	NR
5	3	927322		HOSE CLAMP	NR
5	4	143010		RUBBER PIPE 12X19,5	MT
5	5	143268		JUNCTION "Y"	NR
5	6	143277		INLET HOSE	NR
5	7	69016		MAINFOLD	NR

(*) Recommended spare part.

Page	Spare part position	Spare part code no.	Old code number	Description	U.m.
5	8	104060		BOILER	NR
5	9	926189		CONTACT SAFETY-THERMOSTAT	NR
5	10	456002		O-RING	NR
5	11	231016		TEMPERATURE PROBE	NR
5	12	230020C		KIT HEATING ELEMENTS REB230020 (8KW)	NR
5	13	69870		BOILER HEATING ELEMENT PROTECTION	NR
5	14	423010		HOSE CLAMP	NR
5	15	143005		LINEN RUBBER PIPE 5X12 - BLACK	MT
5	16	H.775601		PIPE	MT
5	17	209042		DOSING PUMP	NR
5	18	121993		FILTER AID DISPENSER	NR
5	19	144010		NON RETURN VALVE (PART NR. REPLACED BY 144010NT)	
5	19	144010NT		NON-RETURN VALVE	NR
5	20	240016		SOLENOID VALVE	NR
5	21	437041		GASKET	NR
5	30	74052		BRACKET	NR
5	31	143261		HOSE	NR
5	36	69871		PROBE HOLDER	NR
6	1	80184		SEALING RING	NR
6	3	325109		PIVOT	NR
6	5	80348		COMPLETE WASH ARM	NR
6	6	129080		COMPLETE RINSE ARM	NR
6	8	80700		PIVOT	NR
6	9	80697		RING NUT	NR
6	10	69237		EXTENSION FOR STUD	NR
6	12	437117		WASHER	NR
6	13	454006		RING NUT	NR
6	14	990128		RINSE AND WASH ARM	NR
6	16	79044		WASHING ARM BUSH C600	NR
6	17	308031		RING NUT	NR
7	1	74122HZ		ELECTROPUMP 60HZ	NR
7	3	335015		WASHPUMP FUN	NR

(*) Recommended spare part.

Page	Spare part position	Spare part code no.	Old code number	Description	U.m.
7	4	206002		CAPACITOR	NR
7	5	69400		SUPPORT BRACKET	NR
7	6	141008		WASHPUMP SHAFT SEAL	NR
7	7	141009		WASHPUMP SHAFT SEAL	NR
7	8	124060		ELECTROPUMP IMPELLER	NR
7	10	456078		O-RING	NR
7	11	480159		PLUG	NR
7	12	429074		RING NUT	NR
7	13	486242		SCREW	NR
7	14	116041		ELECTROPUMP HOUSING	NR
8	1	468165		UPPER RINSE PIPE CONNECTOR	NR
8	2	75402		RINSE PIPE GASKET	NR
8	3	429075		RING NUT	NR
8	4	H.775611-001		PIPE	MT
8	5	468205		PIPE CONNECTION	NR
8	6	476008		SPHERE	NR
8	7	437083		GASKET	NR
8	8	499092		DIAPHRAGM VALVE VENT	NR
8	9	144022		DRAIN PUMP VENT VALVE	NR
8	10	80702		DRAIN HOSE	NR
8	11	80712		BRACKET	NR
8	12	999366		DRAIN PUMP KIT 220/240-60HZ	NR
8	13	70097		DRAIN HOSE	NR
8	16	143252		DRAIN HOSE	NR
8	17	144991B		DRAIN PUMP VENT VALVE	NR
8	18	80637		SUPPORT BRACKET	NR
8	19	CFS18		HOSE CLAMP	NR
8	20	CFS1		HOSE CLAMP	NR